



General Purpose Rectifier (FH1N4007)

普通整流二极管

Features 特征:

Plastic package has Underwriters Laboratories

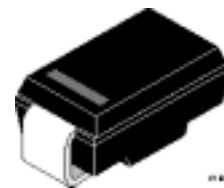
Flammability Classification 94V-0

Construction utilizes void-free molded plastic technique

Low reverse leakage

High forward surge capability

DO-214AC PACKAGE



Maximum Ratings & Thermal Characteristics * 最大额定值与热特性

Ratings at 25 °C ambient temperature unless otherwise specified.

Symbol 符号	Parameter 参数	Value	Units
$I_{F(AV)}$	Maximum Average Forward Rectified Current 最大平均正向整流电流	1.0	A
I_{FSM}	Peak Forward Surge Current 正向峰值浪涌电流(8.3 ms single half-sine-wave superimposed on rated load)	30	A
V_{RRM}	Maximum Peak Repetitive Reverse Voltage 最大峰值反向电压	1000	V
V_{RMS}	Maximum RMS Voltage 最大	700	V
V_{DC}	Maximum DC blocking Voltage 最大直流模块电压	1000	V
R_{JA}	Typical Thermal resistance (NOTE 1) 典型热阻	50	/W
T_A	Maximum DC blocking Voltage Temperature 最大直流模块电压温度	+150	
T_J, T_{STG}	Operating Junction and Storage Temperature Range 结温与储存温度	-65 to +150	

Electrical Characteristics

Ratings at 25 °C ambient temperature unless otherwise specified.

Symbol	Parameter	Value	Units
V_F	Maximum Instantaneous Forward Voltage 最大瞬间正向电压 at 1.0 A	1.1	V
I_R	Maximum DC Reverse Current 最大反向电流 $T_A=25$ °C At Rated DC blocking Voltage $T_A=100$ °C	5.0 50	μ A
C_J	Typical Junction capacitance 典型结容 at 4.0V, 1MHz	15	pF

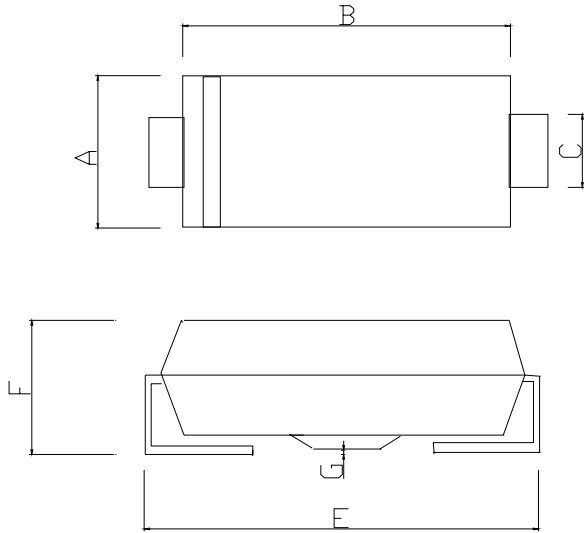
NOTES:

(1) Thermal resistance from junction to ambient, P.C.B. mounted



DO-214AC Dimensions in INCHES(MILLIMETERS)

DO - 214AC 外形尺寸 英寸 (毫米)



	A	B	C
MAX	2.90	4.60	1.60
MIN	2.50	4.00	1.40
	E	F	G
MAX	5.28	2.44	0.203
MIN	4.80	2.00	0.051