



## SOT-23 Plastic-Encapsulate Transistors

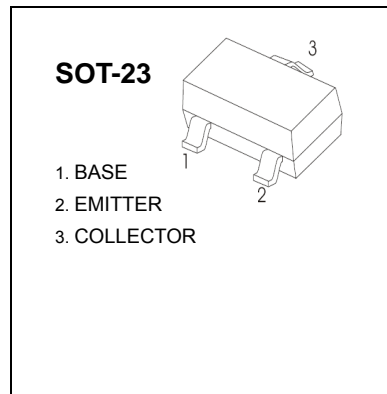
### BC808 TRANSISTOR (PNP)

#### FEATURES

- Suitable for AF-Driver stages and low power output stages
- Complement to BC818

#### MAXIMUM RATINGS (T<sub>a</sub>=25°C unless otherwise noted)

Symbol	Parameter	Value	Unit
V <sub>CBO</sub>	Collector-Base Voltage	-30	V
V <sub>CEO</sub>	Collector-Emitter Voltage	-25	V
V <sub>EBO</sub>	Emitter-Base Voltage	-5	V
I <sub>C</sub>	Collector Current –Continuous	-0.8	A
P <sub>C</sub> *	Collector Power Dissipation	300	mW
T <sub>j</sub>	Junction Temperature	150	°C
T <sub>stg</sub>	Storage Temperature	-65-150	°C



**NSCN**® | WWW.NSCN.COM.CN  
 总机: 025-52188228 客服: 400-888-5058  
 技术: 025-84712971 邮箱: TECH@NSCN.COM.CN  
 南京南山半导体有限公司

#### ELECTRICAL CHARACTERISTICS (T<sub>a</sub>=25°C unless otherwise specified)

Parameter	Symbol	Test conditions	Min	Typ	Max	Unit
Collector-base breakdown voltage	V <sub>(BR)CBO</sub>	I <sub>C</sub> =-100μA, I <sub>E</sub> =0	-30			V
Collector-emitter breakdown voltage	V <sub>(BR)CEO</sub>	I <sub>C</sub> =-10mA, I <sub>B</sub> =0	-25			V
Emitter-base breakdown voltage	V <sub>(BR)EBO</sub>	I <sub>E</sub> =-100μA, I <sub>C</sub> =0	-5			V
Collector cut-off current	I <sub>CBO</sub>	V <sub>CB</sub> =-25V, I <sub>E</sub> =0			-0.1	μA
Emitter cut-off current	I <sub>EBO</sub>	V <sub>EB</sub> =-4V, I <sub>C</sub> =0			-0.1	μA
DC current gain	h <sub>FE(1)</sub>	V <sub>CE</sub> =-1V, I <sub>C</sub> =-100mA	100		630	
	h <sub>FE(2)</sub>	V <sub>CE</sub> =-1V, I <sub>C</sub> =-300mA	60			
Collector-emitter saturation voltage	V <sub>CE(sat)</sub>	I <sub>C</sub> =-500mA, I <sub>B</sub> =-50mA			-0.7	V
Base-emitter voltage	V <sub>BE</sub>	V <sub>CE</sub> =-1V, I <sub>C</sub> =-300mA			-1.2	V
Transition frequency	f <sub>T</sub>	V <sub>CE</sub> =-5V, I <sub>C</sub> =-10mA, f=50MHZ		100		MHZ
Collector output capacitance	C <sub>ob</sub>	V <sub>CB</sub> =-10V, I <sub>E</sub> =0, f=1MHZ		12		pF

#### CLASSIFICATION OF h<sub>FE</sub>

Rank	16	25	40
Range h <sub>FE(1)</sub>	100-250	160-400	250-630
Marking	5E	5F	5G